

Project: _____

Fixture Type: _____

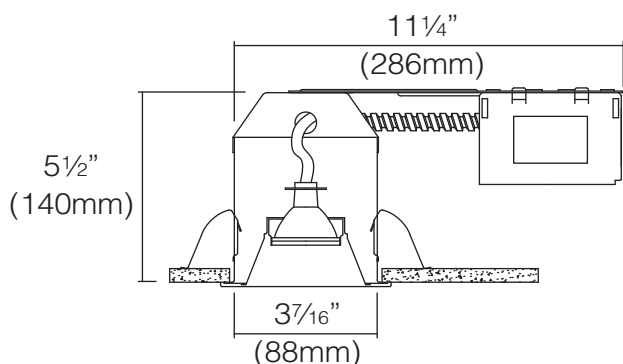
Location: _____

Contact / Phone: _____



DLH104RE

4" NON-IC Type Housing for Remodeling
Low Voltage



dimensions:

- Ceiling Cut-out: 4 1/8"
- Lamp: 50W Max.

features:

- 4" remodel housing
- 50W Max., 12V, GU5.3 base MR-16 (Lamp wattage based on trim)
- UL, C-UL listed for damp location and feed through wiring
- NON-IC, Install 3" away from insulation
- 120V to 12V electronic transformer
- J-box is listed for through-branch circuit wiring with (5) 1/2" knockouts, and (4) knockouts with Romex cable clamp
- Housing adjusts to accommodate various ceiling thickness
- Lamp holder on trims adjust angle 30° from horizontal
- Adjustable socket mounting plate for proper positioning of different lamp types
- 5 1/2" height allows to use in 2" x 6" joist construction

ordering information:

- Catalog number: **DLH104RE** - NON-IC Rated Housing

4 inch

halogen