

Project: _____

Fixture Type: _____

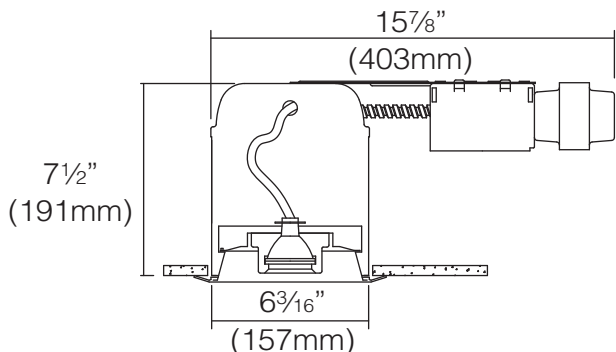
Location: _____

Contact / Phone: _____



DLH106R

6" NON-IC Type Housing for Remodeling
Low Voltage



dimensions:

- Ceiling Cut-out: 6 $\frac{3}{16}$ "
- Lamp: 50W Max.

features:

- 6" remodel housing
- 50W Max., 12V, GU5.3 base MR-16 (Lamp wattage based on trim)
- UL, C-UL listed for damp location and feed through wiring
- NON-IC, Install 3" away from insulation
- Thermally protected against misuse of insulation materials and improper lamping
- J-box is listed for through-branch circuit wiring (5) $\frac{1}{2}$ " knockouts, and (4) knockouts with Romex cable clamp
- Housing adjusts to accommodate various ceiling thickness
- Adjustable socket mounting plate for proper positioning of different lamp types
- 7 $\frac{1}{2}$ " height allows to use in 2" x 8" joist construction

ordering information:

- Catalog number: **DLH106R** - NON-IC Rated Housing

6 inch

halogen