

Project: \_\_\_\_\_

Fixture Type: \_\_\_\_\_

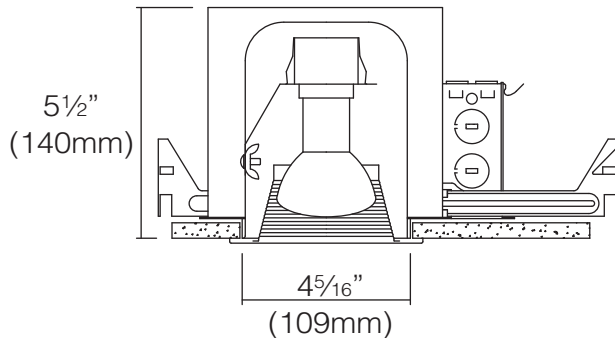
Location: \_\_\_\_\_

Contact / Phone: \_\_\_\_\_



## IC104AT

4" IC Type Air Tight Housing for  
New Work Line Voltage



### dimensions:

- Ceiling Cut-out: 4 $\frac{3}{8}$ "
- Plaster frame: 5 $\frac{1}{2}$ " W x 8" L
- Lamp: 50W Max.

### features:

- 4" new work housing
- 50W Max., 120V (Lamp wattage based on trim)
- UL, C-UL listed for damp location, feed through wiring, and direct contact with insulation
- Thermally protected against misuse of insulation materials and improper lamping
- J-box is listed for through-branch circuit wiring
- (5) $\frac{1}{2}$ " knockouts, and (4) knockouts with Romex cable clamp
- Housing adjusts to accommodate various ceiling thickness
- Adjustable socket mounting plate for proper positioning of different lamp types
- Pre-installed bar hangers allow the housing to be positioned at any point within a 24" joist span
- Bar hangers with nails for adjustable height to make horizontal alignment after half nailing on wood joist
- Bar hangers can be turned 90° on the plaster frame
- Bar hangers are designed to fit T-bar spine without additional clamps for use in a drop ceiling
- 5 $\frac{7}{8}$ " height allows to use in 2" x 6" joist construction

### ordering information:

- Catalog Number: **IC104AT** - IC Rated, AirTight Housing

4 inch

incandescent