



DL205

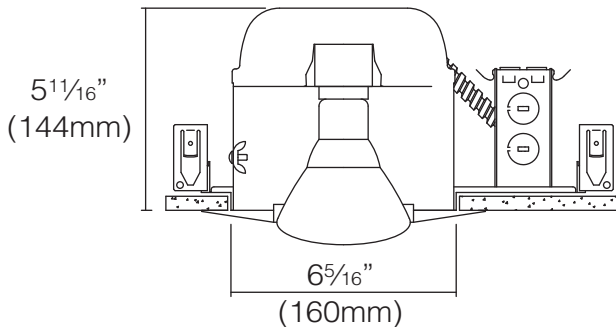
5" NON-IC Type Housing for
New Work Line Voltage

Project: _____

Fixture Type: _____

Location: _____

Contact / Phone: _____



dimensions:

- Ceiling Cut-out: 6½"
- Plaster frame: 7¼" W x 10⅝" L
- Lamp: 150W Max.

features:

- 5" new work housing
- 75W Max., 120V (Lamp wattage based on trim)
- UL, C-UL listed for damp location, and feed through wiring
- NON-IC, Install 3" away from insulation
- Thermally protected against misuse of insulation materials and improper lamping
- J-box is listed for through-branch circuit wiring (5) 1/16" knockouts, and (4) knockouts with Romex cable clamp
- Housing adjusts to accommodate various ceiling thickness
- Adjustable socket mounting plate for proper positioning of different lamp types
- Pre-installed bar hangers allow the housing to be positioned at any point within a 24" joist span
- Bar hangers with nails for adjustable height to make horizontal alignment after half nailing on wood joist
- Bar hangers can be turned 90° on the plaster frame
- Bar hangers are designed to fit T-bar spine without additional clamps for use in a drop ceiling
- 7½" height allows to use in 2" x 8" joist construction

ordering information:

- Catalog Number: **DL205** - NON-IC Rated Housing

5 inch

incandescent