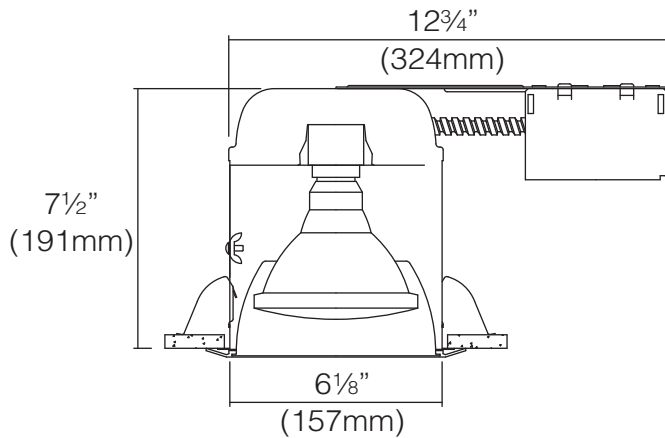




DL106R

6" NON-IC Type Housing for Remodeling
Line Voltage

Project: _____
Fixture Type: _____
Location: _____
Contact / Phone: _____



dimensions:

- Ceiling Cut-out: 6³/₈"
- Lamp: 150W Max.

features:

- 6" remodel housing
- 150W Max., 120V (Lamp wattage based on trim)
- UL, C-UL listed for damp location and feed through wiring
- NON-IC, Install 3" away from insulation
- Thermally protected against misuse of insulation materials and improper lamping
- J-box is listed for through-branch circuit wiring (5)¹/₁₆" knockouts, and (4) knockouts with Romex cable clamp
- Housing adjusts to accommodate various ceiling thickness
- Adjustable socket mounting plate for proper positioning of different lamp types
- 7¹/₂" height allows to use in 2" x 8" joist construction

ordering information:

- Catalog Number: **DL106R** - NON-IC Rated Housing

6 inch

incandescent