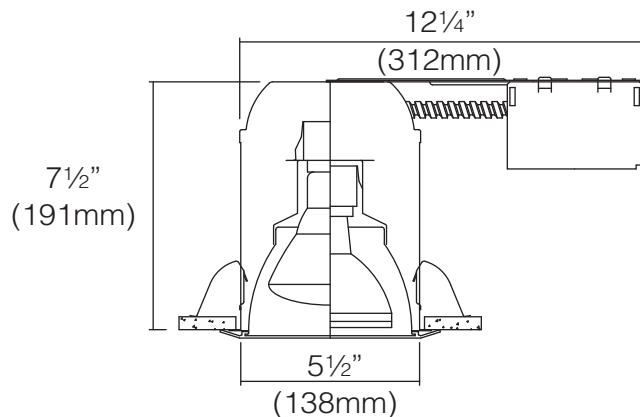




IC205R

5" IC Type Housing for Remodeling
Line Voltage

Project: _____
Fixture Type: _____
Location: _____
Contact / Phone: _____



dimensions:

- Ceiling Cut-out: 5 $\frac{3}{4}$ "
- Lamp: 75W Max.

features:

- 5" remodel housing
- 75W Max., 120V (Lamp wattage based on trim)
- UL, C-UL listed for damp location, feed through wiring, and direct contact with insulation
- Aluminum single walled housing
- Thermally protected against misuse of insulation materials and improper lamping
- J-box is listed for through-branch circuit wiring (5 $\frac{1}{2}$ " knockouts, and (4) knockouts with Romex cable clamp)
- Housing adjusts to accommodate various ceiling thickness
- Adjustable socket mounting plate for proper positioning of different lamp types
- 7 $\frac{1}{2}$ " height allows to use in 2" x 8" joist construction

ordering information:

- Catalog Number: **IC205R** - IC Rated Housing

5 inch
incandescent

