

Project: _____

Fixture Type: _____

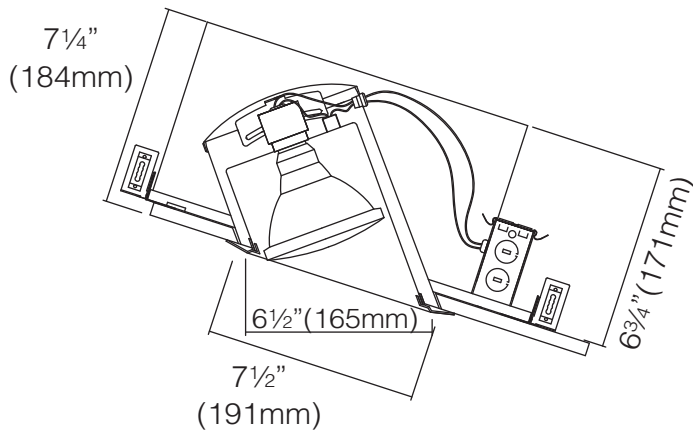
Location: _____

Contact / Phone: _____



IC9068AT

6" Super Sloped IC Type Housing for
New Work Line Voltage



dimensions:

- Ceiling Cut-out: 8³/₁₆" x 6¹/₂"
- Plaster frame: 7⁵/₈" W x 12" L
- Lamp: 75W Max.

features:

- 6" new work housing for sloped ceiling, 7/12 to 12/12 pitch
- 150W Max., 120V (Lamp wattage based on trim)
- UL, C-UL listed for damp location, feed through wiring, and direct contact with insulation
- Thermally protected against misuse of insulation materials and improper lamping
- J-box is listed for through-branch circuit wiring (5)¹/₂" knockouts, and (4) knockouts with Romex cable clamp
- IC906AT is a sealed housing to prevent airflow from air conditioned or heated areas into ceiling and tested for Washington State Energy code
- The socket swivels to align lamp direction
- Pre-installed bar hangers allow the housing to be positioned at any point within a 24" joist span
- Bar hangers with nails for adjustable height to make horizontal alignment after half nailing on wood joist
- Bar hangers can be turned 90° on the plaster frame
- Bar hangers are designed to fit T-bar spine without additional clamps for use in a drop ceiling
- 7¹/₂" height allows to use in 2" x 8" joist construction

ordering information:

- Catalog Number: **IC9068AT** - Super Sloped IC Rated Air Tight Housing

6 inch

incandescent