

Project: \_\_\_\_\_

Fixture Type: \_\_\_\_\_

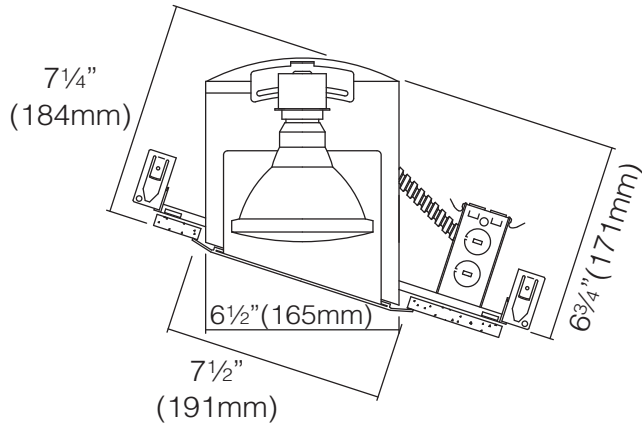
Location: \_\_\_\_\_

Contact / Phone: \_\_\_\_\_



## IC806

6" Sloped IC Type Housing for  
New Work Line Voltage



### dimensions:

- Ceiling Cut-out: 7<sup>1</sup>/<sub>16</sub>" x 6<sup>7</sup>/<sub>8</sub>"
- Plaster frame: 7<sup>5</sup>/<sub>8</sub>" W x 12" L
- Lamp: 75W Max.

### features:

- 6" new work housing for sloped ceiling. 2/12° to 6/12° pitch
- 75W Max., 120V (Lamp wattage based on trim)
- UL, C-UL listed for damp location, feed through wiring
- Thermally protected against misuse of insulation materials and improper lamping
- J-box is listed for through-branch circuit wiring (5)<sup>1</sup>/<sub>2</sub>" knockouts, and (4) knockouts with Romex cable clamp
- The socket swivels to align lamp direction
- Pre-installed bar hangers allow the housing to be positioned at any point within a 24" joist span
- Bar hangers with nails for adjustable height to make horizontal alignment after half nailing on wood joist
- Bar hangers can be turned 90° on the plaster frame
- Bar hangers are designed to fit T-bar spine without additional clamps for use in a drop ceiling
- 7<sup>1</sup>/<sub>2</sub>" height allows to use in 2" x 8" joist construction

### ordering information:

- Catalog Number: **IC806** - Sloped IC Rated Housing

6 inch

incandescent